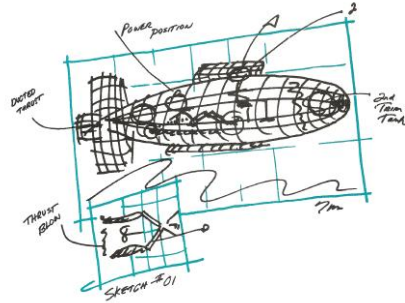


# ISR™ 14 International Submarine Races Team Entry Form (5.1)



This form is for entry into the Foundation for Underwater Research and Education's 14<sup>th</sup> International Submarine Races (ISR™ 14) to be held at the David Taylor Model Basin located at the Carderock Division of the Naval Surface Warfare Center (NSWC) in Bethesda, Maryland from June 25<sup>th</sup> to June 30<sup>th</sup>, 2017.

There are two steps required to register your team.

- First is for the Team Advisor or Team Leader to complete this Team Entry Form and submit it to the Foundation for Underwater Research and Education's Treasurer, with your \$300 initial payment. A second payment of your entry fee is due to the Foundation for Underwater Research and Education's Treasurer as described below.
- Team Leaders or Advisors need to ensure that each Team contestant and visitor completes the Individual Registration process described in the "Required Forms and Actions" on the website, within the required due dates.

A \$1,250.00 entry fee will be assessed from each submarine racing team for each submarine; **\$300.00 is due and payable with this Team Entry Form no later than November 3, 2016 and is non-refundable. The remaining \$950.00 is due by 2 February 2017.** The second payment of the entry fee may be refundable at the discretion of the ISR™ Directors Committee for extenuating circumstances.

All checks must be made payable to:

**Foundation for Underwater Research and Education** in US currency only.

This form and payment must be sent to:

F.U.R.E.  
P.O. Box 543  
Haymarket, VA 20168  
USA

Contact Mr. Chip Chase at [chip3483@gmail.com](mailto:chip3483@gmail.com) if you have any questions.

## ISR™ 14 International Submarine Races Team Entry Form (5.1)

*Contestants who submit the Team Entry Form with the \$300.00 entry fee on time, but fail to meet the 6 February 2017 deadline with the \$950.00 fee, will be required to pay a \$250.00 late fee no later than 20 March 2017, which results in a total payment of \$1500.00. Applications that miss the 7 November 2016 date will require a FULL PAYMENT of \$1500.00 (\$1250.00 plus \$250.00 late fee) at the time of application, but no later than 20 March 2017.*

**NO APPLICATIONS WILL BE ACCEPTED AFTER 20 March, 2017**

An electronic transfer option exists to pay entry fees. There is an additional fee of \$30.00 for U.S. bank funds transfer and \$45.00 for International bank funds transfer. Contact Chip Chase at the above email address for details on electronic funds transfers.

The ISR™ reserves the right to curtail registrations for the event if the number of registered submarines that have made full payments exceeds the capacity of the race facility. A copy of the "International Submarine Races Contestants Manual" for this race is available on the ISR website at [www.internationalsubmarineraces.org](http://www.internationalsubmarineraces.org)

### Team Leaders and Advisors:

1. Upon receipt of your Team Entry Form, you will be contacted by the ISR Contestant Liaison, Mrs. Sue Rovner.
2. It is important to register your team by referring to your Submarine name. If one Team is bringing more than one submarine, two Team Entry Forms are required referring to the Submarine name.
3. Please ensure that you and all people affiliated with your Team complete the Individual Registration process by referring to the Submarine name.

### Optional:

If you would like to have your local publications, TV, radio, etc. notified about your team's upcoming participation in ISR™ 14 then contact Kristin Behrle

# ISR™ 14 International Submarine Races Team Entry Form (5.1)

**Submarine Name:**

**Team Name:**

**Affiliation:**  High School  College  Corporate  Individual  
**Category:**  One Person  Two-Person  Propeller  Non-Propeller

**Academic Support (School Name):**

**Home (City, State/Province, Country):**

**Length Overall:**

**Maximum Diameter:**

**Displacement:**

**Weight in Air:**

**Color:**

**Propulsion System:**

**Design Speed:**

**Team Advisor - Name/Phone/Email**

**Team Leader - Name/Phone/E-mail**

**Team Members:**

**Team Sponsors:**